



On when
it counts.



Application

- Safety applications
- Instrument panels
- Vending, gaming
- Display lighting
- Transportation - rail, bus, airline
- ...and many more!

Certifications & Ratings

- UL1598: wire leads - UL listed; terminals - UL recognized
- NEMA 4X
- IP66/67
- RoHS compliant - w/6C exemption

Features & Benefits

- Long life - typically 100K hours
- Daylight viewable
- Tamper proof / designed for high durability
- Available in white, red, yellow, green and blue
- Low profile flat (viewing angle: 80)
- Wide angle domed (viewing angle: 60)

Mechanical Information:

Mounting hole size:	0.50" (12.7mm)
Max panel thickness:	0.45" (11.43mm)
Mounting torque:	5 in-lbs torque

Electrical Specifications:

Operating voltage:	12 to 125V DC and 125, 230V AC
Operating temperature:	-22°F to +185°F (-30°C to +85°C)
Storage temperature:	-40°F to +212°F (-40°C to +100°C)
Electrical connection:	Quick connect terminals or 6" wire leads

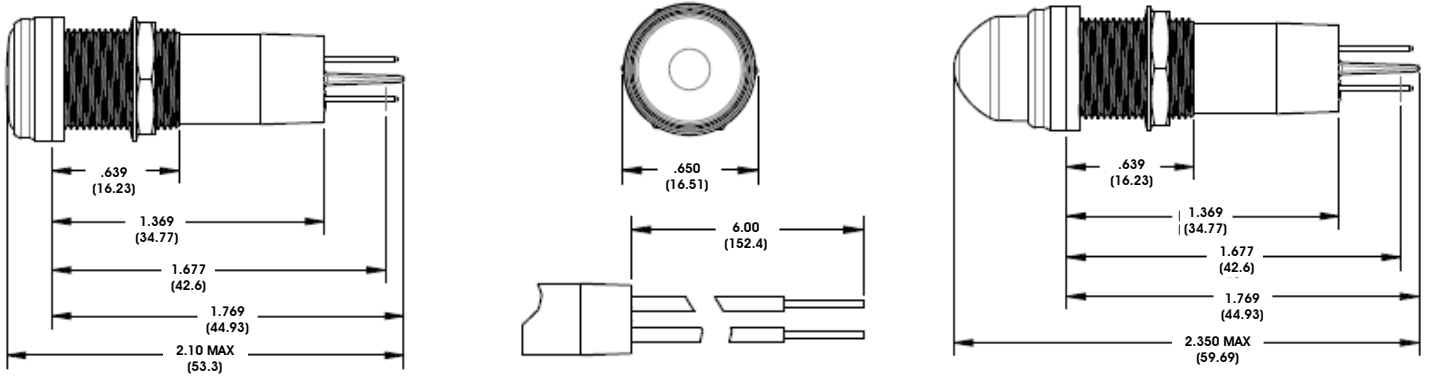
Construction:

Housing:	White nickel plated brass
Lens material:	Transparent polycarbonate (UL 94V-0)
Terminals:	Tin over brass
Wire leads:	18 AWG
Lock washer:	White nickel plated bronze
Nut:	White nickel plated brass

All values typical unless otherwise stated



Panel Mount Indicator Dimensions



Dimensions are in inches [mm]

Part Number	Lens Style	Color	Voltage	Voltage Type	Current (mA)	Typical Intensity (mcd)	Viewing Angle
656-1003-303F	FLAT	WHITE	12	VDC	18	1310	80
656-1103-303F	FLAT	RED	12	VDC	18	1100	80
656-1203-303F	FLAT	GREEN	12	VDC	16	1140	80
656-1303-303F	FLAT	YELLOW	12	VDC	18	880	80
656-1403-303F	FLAT	BLUE	12	VDC	16	290	80
656-1004-303F	FLAT	WHITE	24	VDC	20	1310	80
656-1104-303F	FLAT	RED	24	VDC	20	1100	80
656-1204-303F	FLAT	GREEN	24	VDC	20	1140	80
656-1304-303F	FLAT	YELLOW	24	VDC	20	880	80
656-1404-303F	FLAT	BLUE	24	VDC	20	290	80
656-1006-303F	FLAT	WHITE	28	VDC	19	1310	80
656-1106-303F	FLAT	RED	28	VDC	19	1100	80
656-1206-303F	FLAT	GREEN	28	VDC	18	1140	80
656-1306-303F	FLAT	YELLOW	28	VDC	19	880	80
656-1406-303F	FLAT	BLUE	28	VDC	18	290	80

Part Number	Lens Style	Color	Voltage	Voltage Type	Current (mA)	Typical Intensity (mcd)	Viewing Angle
656-1005-303F	FLAT	WHITE	120	VAC/DC	5	400	80
656-1105-303F	FLAT	RED	120	VAC/DC	5	230	80
656-1205-303F	FLAT	GREEN	120	VAC/DC	5	450	80
656-1305-303F	FLAT	YELLOW	120	VAC/DC	5	190	80
656-1405-303F	FLAT	BLUE	120	VAC/DC	5	100	80
656-1009-303F	FLAT	WHITE	230	VAC	3	400	80
656-1109-303F	FLAT	RED	230	VAC	3	230	80
656-1209-303F	FLAT	GREEN	230	VAC	3	450	80
656-1309-303F	FLAT	YELLOW	230	VAC	3	190	80
656-1409-303F	FLAT	BLUE	230	VAC	3	100	80
656-3003-303F	DOME	WHITE	12	VDC	18	2340	60
656-3103-303F	DOME	RED	12	VDC	18	2000	60
656-3203-303F	DOME	GREEN	12	VDC	16	2110	60
656-3303-303F	DOME	YELLOW	12	VDC	18	1080	60
656-3403-303F	DOME	BLUE	12	VDC	16	640	60
656-3004-303F	DOME	WHITE	24	VDC	20	2340	60
656-3104-303F	DOME	RED	24	VDC	20	2000	60
656-3204-303F	DOME	GREEN	24	VDC	20	2110	60
656-3304-303F	DOME	YELLOW	24	VDC	20	1080	60
656-3404-303F	DOME	BLUE	24	VDC	20	640	60
656-3006-303F	DOME	WHITE	28	VDC	19	2340	60
656-3106-303F	DOME	RED	28	VDC	19	2000	60
656-3206-303F	DOME	GREEN	28	VDC	18	2110	60
656-3306-303F	DOME	YELLOW	28	VDC	19	1080	60
656-3406-303F	DOME	BLUE	28	VDC	18	640	60
656-3005-303F	DOME	WHITE	120	VAC/DC	5	660	60
656-3105-303F	DOME	RED	120	VAC/DC	5	410	60
656-3205-303F	DOME	GREEN	120	VAC/DC	5	800	60
656-3305-303F	DOME	YELLOW	120	VAC/DC	5	390	60
656-3405-303F	DOME	BLUE	120	VAC/DC	5	220	60
656-3009-303F	DOME	WHITE	230	VAC	2	660	60
656-3109-303F	DOME	RED	230	VAC	3	410	60
656-3209-303F	DOME	GREEN	230	VAC	3	800	60
656-3309-303F	DOME	YELLOW	230	VAC	3	390	60
656-3409-303F	DOME	BLUE	230	VAC	3	220	60

For blade terminals: replace the 10th digit with "4". For example, 656-1103-303F becomes 656-1103-304F.

Dialight reserves the right to make changes at any time in order to supply the best product possible. The most current version of this document will always be available at: www.dialight.com/Assets/Brochures_And_Catalogs/Illumination/MDEL656CR.pdf

Warranty Statement: EXCEPT FOR THE WARRANTY EXPRESSLY PROVIDED FOR [HEREIN/ABOVE/BELOW], DIALIGHT DISCLAIMS ANY AND ALL OTHER WARRANTIES, EXPRESS OR IMPLIED, INCLUDING, WITHOUT LIMITATION, ANY WARRANTIES OF MERCHANTABILITY, FITNESS FOR A PARTICULAR PURPOSE, TITLE, AND NON-INFRINGEMENT.