



US Patent #7,160,004 #7,604,384 others pending

7" LED High and Low Beam Headlamp

Certifications & Ratings

- SAE / DOT Compliant
- FMVSS108 Visual Aim

Features & Benefits

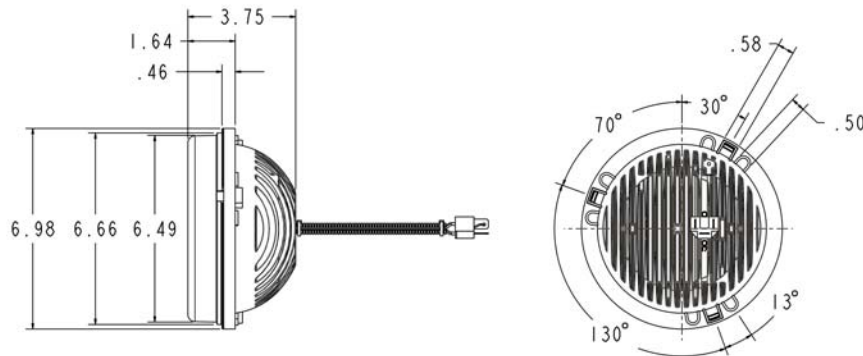
- 7 year limited warranty
- Expected life >10 Years
- Combined high beam and low beam
- No frequent relamping
- Protection against over-voltage / surge / spikes
- Less prone to alignment errors
- Wide beam pattern
- Industry first reflector based design
- Weatherproof design

Lens De-icing Option

With this option the external headlight lens surface has been designed to maintain 0°C or above while in operation. This feature will assist in elimination ice build up.

Ordering Codes

Part Numbers	Description
HLD734CB	7" Bus, Dual Beam, Led Headlamp
HLD734CBH	7" Bus, Dual Beam, Led Headlamp with Lens Heating Element



Application:

Dialight's new SAE/DOT FMVSS108 Compliant 7" LED headlamp is designed for mass transit vehicles. With its dual voltage capabilities of a 12V and 24V system, it will easily replace any 7" halogen / HID light in the market as a retrofit without any need for retooling.

All of Dialight's long life LED luminaires are designed to meet the most demanding specification criteria while offering maximum energy savings, reduced maintenance costs, and a superior quality of light.

Dialight 7" LED headlights have been tested and approved to the FMVSS108 requirement by InterTek-ETL.

Electrical specifications

Operating Voltage: 12V and 24V Dual Voltage System

**Standard model:
Power Consumption @12V:** Low Beam - 23W
High Beam - 35W

Power Consumption @24V: Low Beam - 21W
High Beam - 31W

**De-icing model:
Power Consumption @12V:** Low Beam - 28W
High Beam - 40W

Power Consumption @24V: Low Beam - 26W
High Beam - 36W

Material

Housing: Black anodized, diecast aluminum alloy
PAR56 alignment key

Lens: Hard coated polycarbonate lens

Reflectors: Metalized reflectors

Dialight reserves the right to make changes at any time in order to supply the best product possible. The most current version of this document will always be available at: http://www.dialight.com/Assets/Brochures_And_Catalogs/Signaling/MDTBHLHX001.pdf

Warranty Statement: EXCEPT FOR THE WARRANTY EXPRESSLY PROVIDED FOR [HEREIN/ABOVE/BELOW], DIALIGHT DISCLAIMS ANY AND ALL OTHER WARRANTIES, EXPRESS OR IMPLIED, INCLUDING, WITHOUT LIMITATION, ANY WARRANTIES OF MERCHANTABILITY, FITNESS FOR A PARTICULAR PURPOSE, TITLE, AND NONINFRINGEMENT.